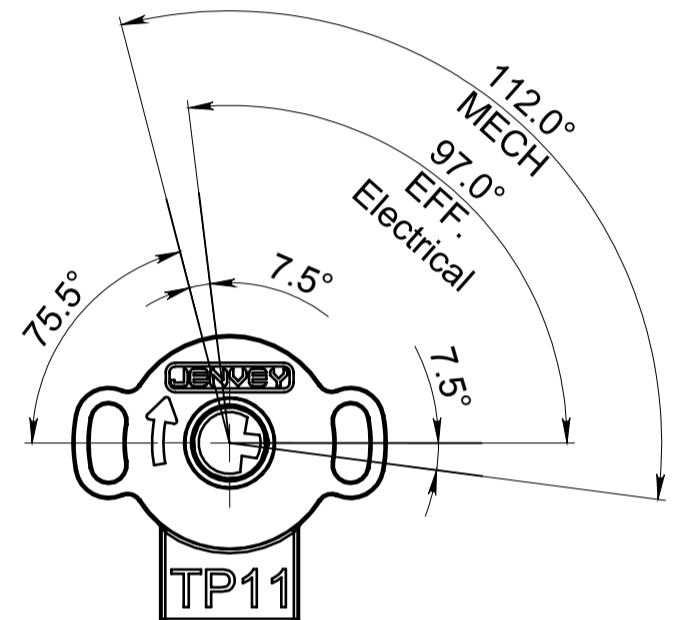


Mechanical Start Position



Mechanical End Position

| Connector Pinout | Wire Colour |
|----------------------|-------------|
| Pin 1 - Signal Out | Red |
| Pin 2 - +5 to 24V DC | White |
| Pin 3 - GND/0V | Black |

| Specs | |
|------------------------------|---|
| Construction | Conductive plastic track with multi fingered wipers, ensuring excellent contact under vibration |
| Standard resistance range | 5kΩ +/- 20% |
| Hysteresis | <0.3% |
| Angle of electrical rotation | 97° +/- 3° |
| Total mechanical rotation | 112° MAX |
| Supply Voltage | 5-24V DC |
| Independent linearity | +/- 1% |
| Temperature Range | -25°C to +125°C (Peak of 150°C for 15mins) |
| Rotational life | 5 x 10 ⁶ cycles |
| Environmental sealing | IP66 |
| Cable type | 1-core silicone wire, 20 AWG 256/0.05 copper conductor, O/D: 2.7mm, 3A 1.5kV |

RECOMMENDED TORQUE SETTING OF 1.6Nm

Material
See B.O.M.

Treatment
None

| | | | | |
|----------------------|----------|--------------------------------|----------------|-----------------|
| B | - | ECR3216 - Colour of wire added | 20/09/18 | JU |
| A | - | Initial issue | 29/03/16 | ZTS |
| Revision | Mod. No. | Description | Date | Name |
| General tolerance | | Name | Date | Scale |
| +/- 0.2mm | +/- 0.5° | Drawn | ZTS 29/03/2016 | 6 1:1 |
| | | Checked | | Document type |
| | | Eng. Appr. | | Assembly |
| | | Mfg. Appr. | | Document status |
| | | Q.A. | | Released |
| Do not scale drawing | | Drawing number | | Rev. |

Title, Supplementary title: **VPS01-92 (6840-0001)** Drawing number: **92965** Rev. **B**